

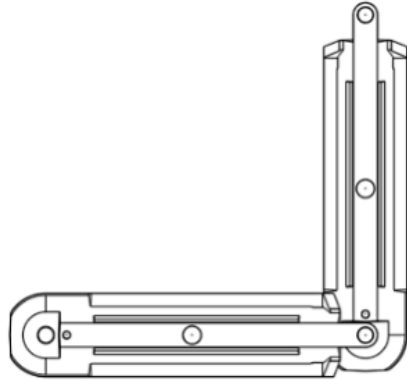
# DATA SHEET

## NOVUS BARRIER

Unique barrier which corners to 90 degrees and has leaves no gaps

1 / 4

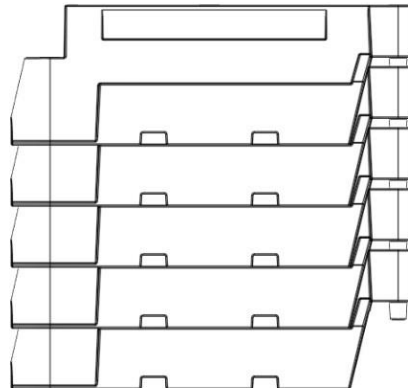
GAPLESS  
CORNER



GAPLESS  
STRAIGHT



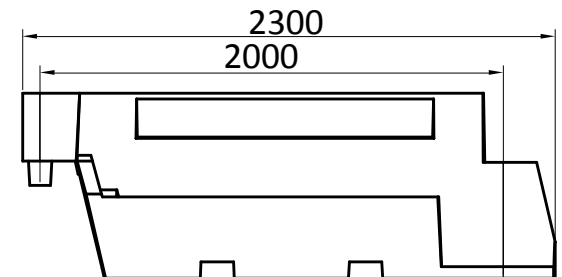
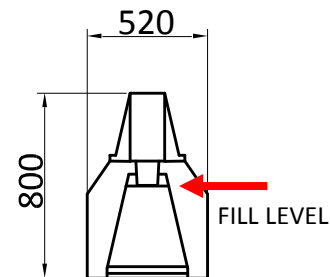
STACKED  
X 5 HIGH



## BARRIER

### NOVUS

PRODUCT CODE	NVSV
WL	2000MM
W	520MM
H	800MM
TL	2300
WEIGHT E/ F	25KG /180KG
BARRIER CAPACITY	155L
PER PALLET	10
FULL LOAD	135
MATERIAL	UV MDPE
COLOUR	RED / WHITE / CUSTOM
REFLECTIVE PANEL	OPTIONAL
MIRA WIND SPEED	68 MPH



# DATA SHEET **NOVUS BARRIER**

2 / 4

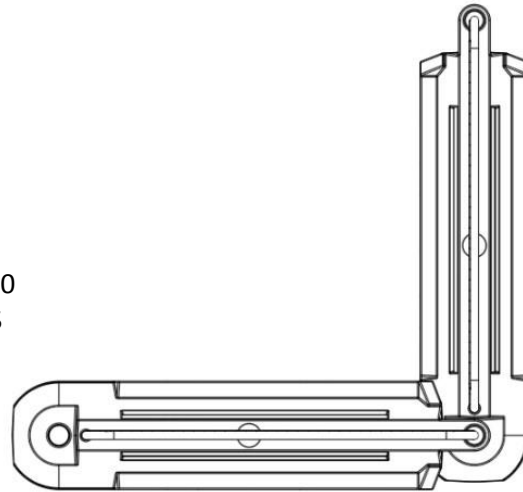
Unique barrier which corners to 90 degrees and has leaves no gaps

## ACCESSORIES

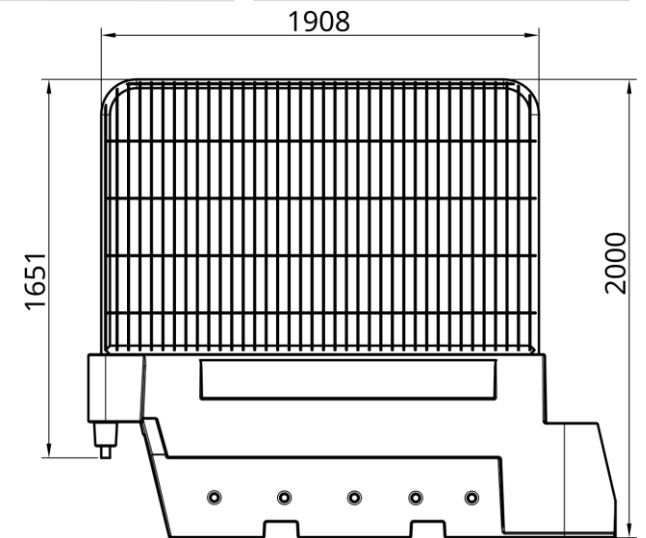
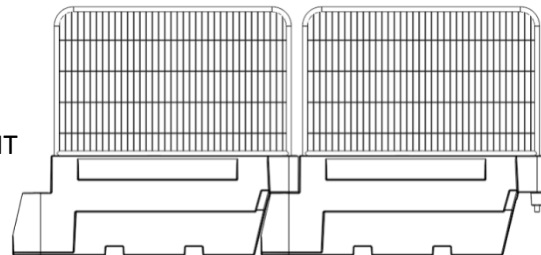
### NOVUS MESH

PRODUCT CODE	NVM
L	1908MM
W	42MM
H	1651MM
TH	2000MM
WEIGHT E	8KG
PER PALLET	30
FULL LOAD INC BARRIER	95
MATERIAL	STEEL POWDER COAT
COLOUR	WHITE / CUSTOM
MIRA WIND SPEED	58MPH

MESH  
CORNER 90  
DEGREEES



STRAIGHT



# DATA SHEET **NOVUS PED GATE**

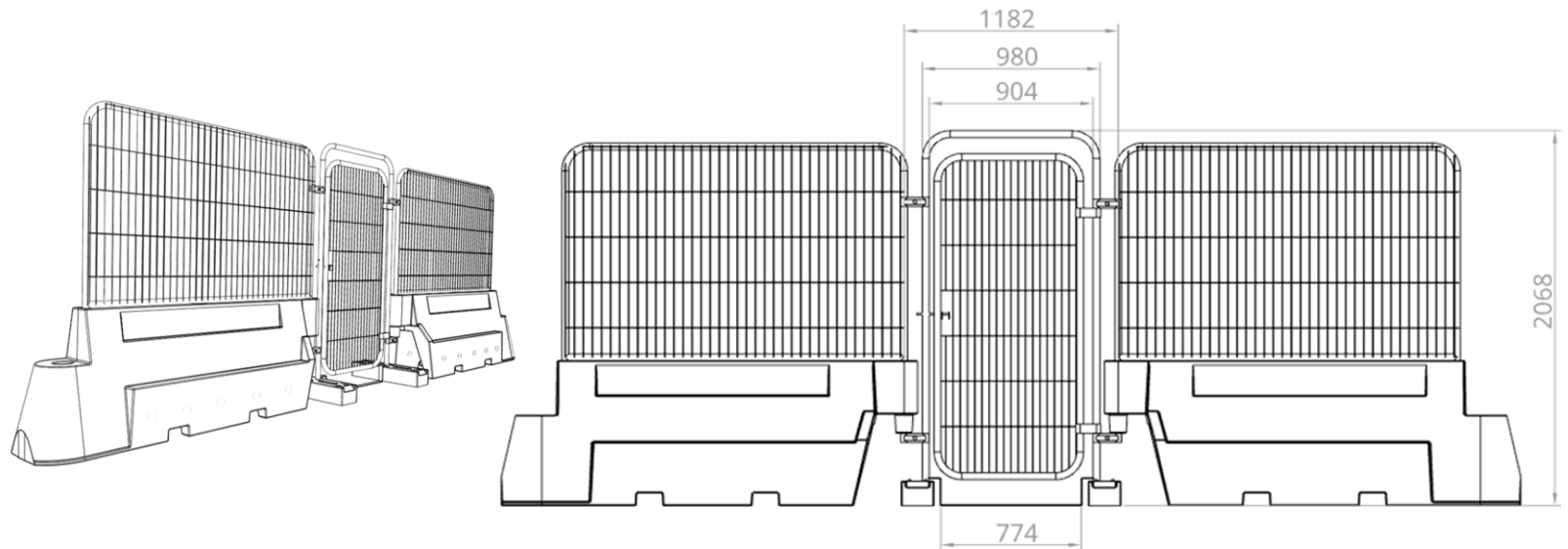
3 / 4

Unique barrier which corners to 90 degrees and has leaves no gaps

## ACCESSORIES

### NOVUS PED GATE

PRODUCT CODE	NPG
WL	1182MM
W	760MM (FOOT)
H	2068MM
GATE MIN WIDTH	774MM
WEIGHT E	13KG
LOCKABLE LATCH	Y
MATERIAL	STEEL POWDER COAT
COLOUR	WHITE / CUSTOM
MIRA WIND SPEED	N/A



# DATA SHEET **NOVUS VEHICLE GATE**

4 / 4

Unique barrier which corners to 90 degrees and has leaves no gaps

## ACCESSORIES

### NOVUS VEHICLE GATE

	SIZE	CODE
<b>A. GATES</b>	2M	NVG2
	3M	NVG3
	4M	NVG4
<b>B. RUBBER FEET</b>	2 X 18 KG	
<b>C. CLIPS</b>	4 X LARGE	
<b>D WORKING L</b>	GATE SIZE + 0.42M	

