



STEEL STAIRWAY

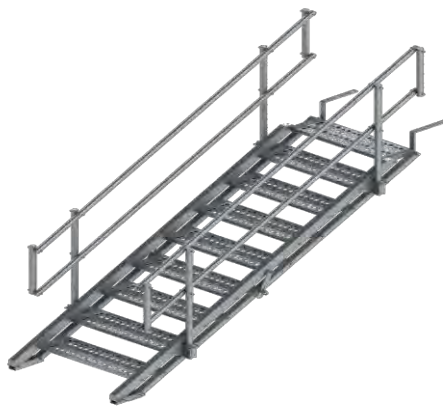
A versatile solution to provide access in most work zone environments.

The Steel Stairway is lightweight yet strong and comes with detachable handrails on both sides to provide an extra layer of safety. The Stairway can be easily secured and locked into a preferred angle and the non-slip steps help to provide maximum grip.

 **Fast Access**

 **1.5kN/m²**

 **39-214Kg**



Specifications

Size: 3 Step / 6 Step / 9 Step / 12 Steps / 15 Steps / 18 Steps
1.6m [L] / 2.5m [L] / 3.3m [L] / 4.1m [L] / 4.6m [L] / 5.4m[L]
Outside: 800mm, Inside: 700mm [W] / Outside: 1.1m, Inside: 1m [W]

Weight: Body only: 39Kg-214Kg (depending on size chosen)

Load: 1.5kN/m²

Material: Steel

Key Features

- ✓ Versatile and allows for fast access
- ✓ Complies with EN 12811
- ✓ An alternative to standard ladders
- ✓ Lightweight, strong steel design
- ✓ Steps provide maximum grip
- ✓ The stairway folds flat for easy transport
- ✓ Accommodates a range of pitch angles
- ✓ Includes handrails that slot into position
- ✓ A snap locking scaffold attachment makes it simple to fit onto existing tube and fitting scaffold assemblies

Budget Options

Perhaps you don't have the budget to purchase outright, we always have a variety of solutions for you.

- **Hire for short or long term**
- **Used/second hand**
- **Buyback**
- **Lease or Finance**

Top Tip

Slab attachments are available for use on concrete frames.

For other items, please take a look at our [Specialist Construction Products](#).

Contact Us

 elite-gss.com

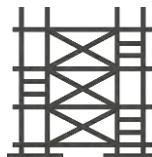
 sales@elite-gss.com



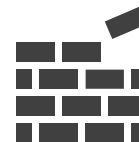
Embankments



Construction Sites



Scaffolding



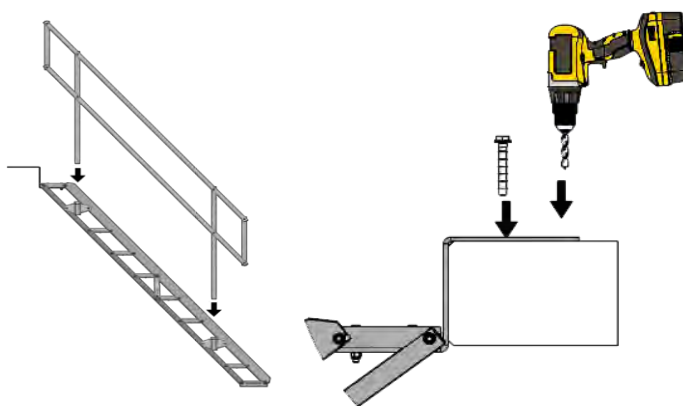
Building Sites



How are they installed?

Unfold the Steel Stairway and loosen the eye nuts, erect to the desired angle then tighten the eye nuts.

Mount the guard rail and tighten the securing wedges. Use the slab attachment and secure to the ground by drilling screws. A scaffold attachment can also be used.



Installation timings

No specialist lifting equipment required. A drill is needed to secure the slab into place.



2 people required.



Installation in 2 mins

Need to Natter?

0800 622 6838

elite-gss.com

News, insights and events

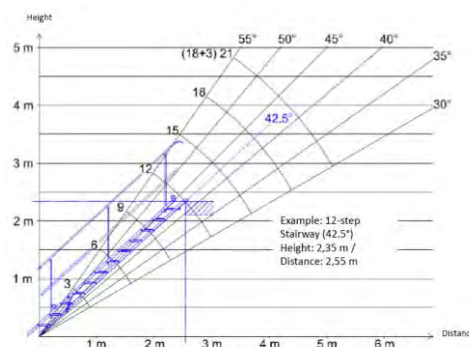
Product reviews and offers, answered questions and discussion tips

Shared business and industry information

'How to' use our products, installations and vlogs

Variety of Angles

Our Steel Stairway can be locked into a range of angles with the slab fixings.



Additional information

Elite Products Brochure