




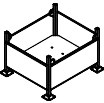


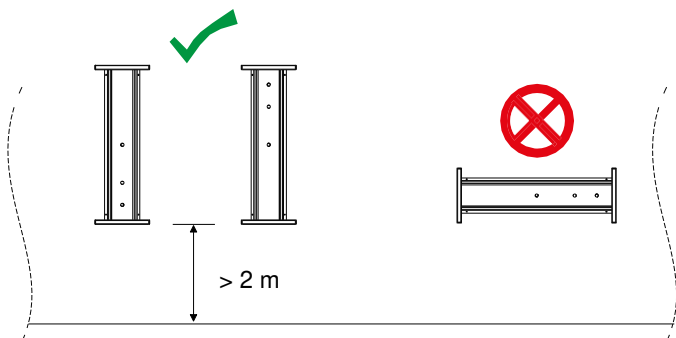
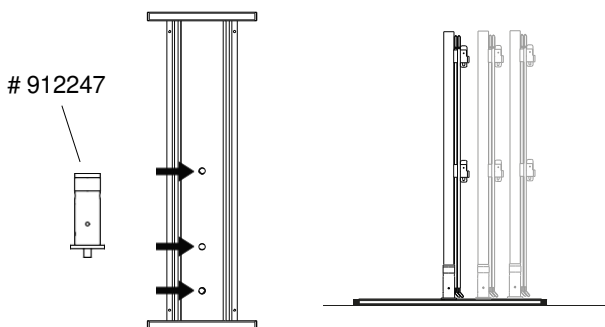
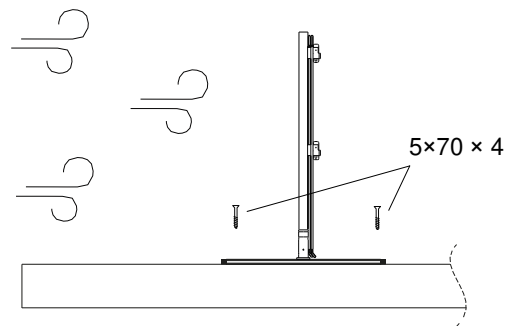
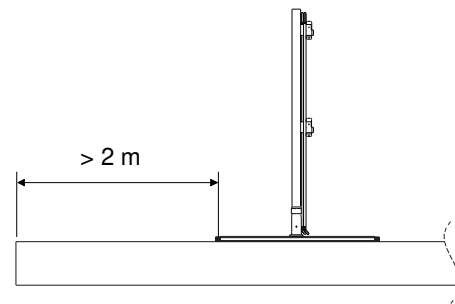
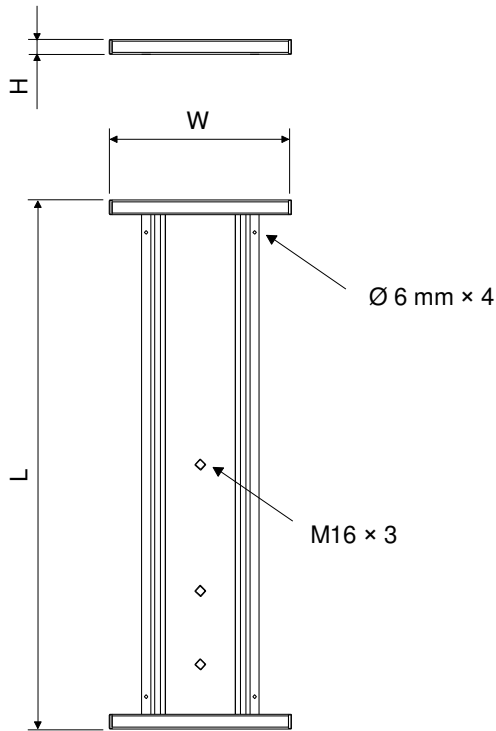


GROUND SUPPORT PLATE

-  L: 900 mm
-  W: 300 mm
-  H: 25 mm
-  7,9 kg
-  Steel + Zn + Powder coating



-  1,03 × 0,91 × 0,65 m
-  277 kg
-  30 pcs



FREESTANDING PLATE

Freestanding base is useful when a barrier system is needed to build phase-breaks to protect concrete slab pours, exclusion zones and safe walkway routes. The base is lightweight so therefore portable and easy to install by simply screwing a Socket base into one of its three connection points, then inserting Post 1,3 m and Barrier 2,6. Freestanding base is used for creating temporary blockings and safe access routes in work environments at construction sites. This solution can be quickly installed and is easy to move and adjust when required.

- Three mounting points M16.
- Zinc and powder coated..
- 50 pieces delivered in stacking stillage.

