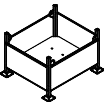


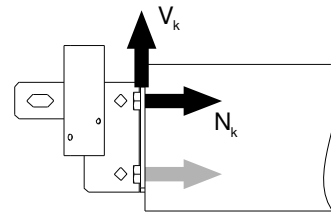
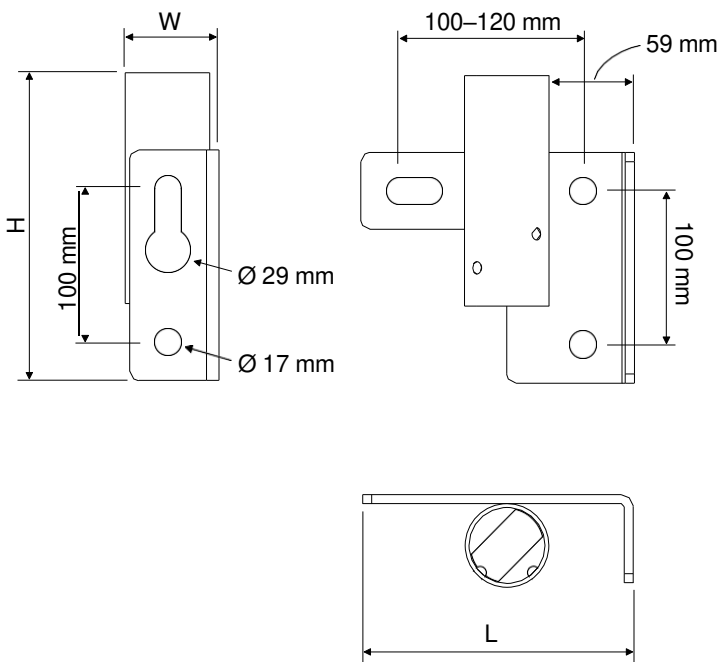


## VERTICAL BRACKET

-  L: 178 mm
-  W: 61 mm
-  H: 200 mm
-  1,4 kg
-  Steel + Zn (hot dip galvanized)
-  EN13374

-  1,03 × 0,91 × 0,65 m
-  320 kg
-  200 pcs



ANCHOR LOADS (Q) <sup>1)</sup>		(Per anchor, unfactored)
$N_k$		5,5 kN
$V_k$		1,5 kN

<sup>1)</sup> EN 13374:  
 $Q_{k,i} \times \gamma_F^* = E_d \leq R_d = R_k / \gamma_M (k_{mod}^{**})$   
 $\gamma_F^* = 1,5$  \*\* for timber

